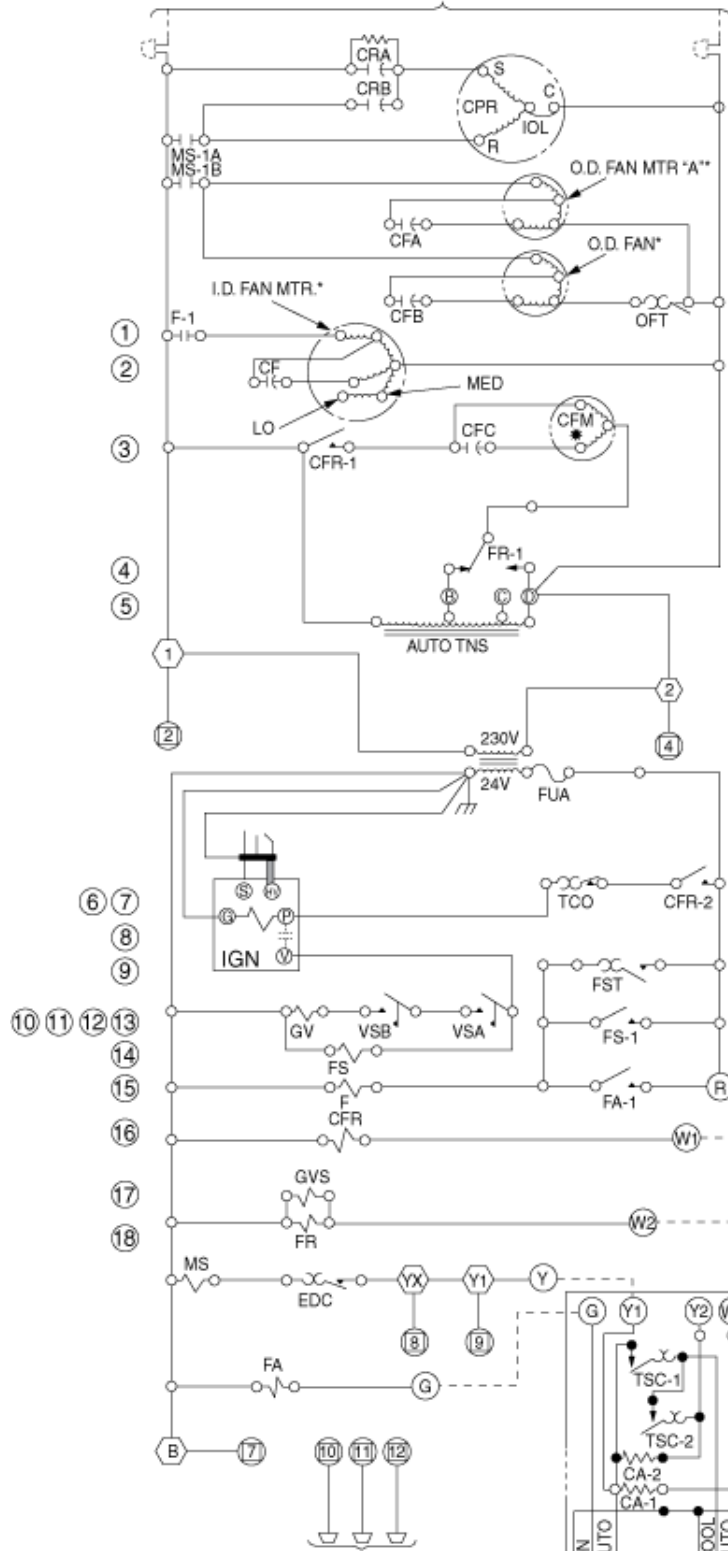


TO 230 VOLT, 60HZ, SINGLE PHASE POWER
SUPPLY PER LOCAL CODES



Legend

AR	Auxiliary Relay
CFM	Combustion Fan Motor
CFR	Combustion Fan Relay
CPR	Compressor Motor
CR	Compressor Relay
EDC	Evaporator Defrost Relay
F	Indoor Fan Relay
FA	Auxiliary Fan Relay
FD	Flame Detector
FDR	Fan Delay Relay
FR	Fan Relay
FS	Fan Signal Relay
FSR	Flame Switch Relay
FST	Thermal Fan Switch
GV	Gas Valve
GVS	Gas Valve Second Stage
IGN	Ignitor
IR	Ignition Relay
L	Lock-Out Relay
PV	Pilot Valve
TCP	Temperature Limit Switch (Auto Reset)
TCO	Temperature Limit Switch (Manual Reset)
TM	Compressor Motor Thermostat
TNS	Transformer
TSH	Thermostat Heating Switch
VSA or VSB	Vane Switch (Air Sensing)
XOL	External Overload
FUA	Fuse
MS	Motor Solenoid

THERMOSTAT AY28X099
AY28X098A WITH SUB-BASE
SET HA-1 = 0.40
HA-2 = 0.48